

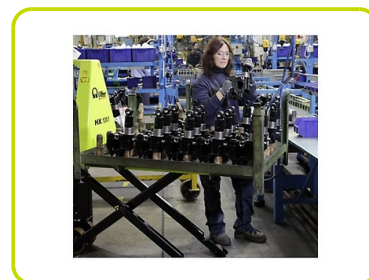
HX10M 1150X540

HIGH LIFT PALLET TRUCK - MANUAL



HX10 M

The HX10M scissor lift makes possible an easy and light lifting to a height of 800 mm, becoming a practical work platform, suitable for places such as machine workshops. This pallet truck is also able to carry out the support function and material supply along the assembly and production lines.



TILLER

3D Superior Ergonomic shape tiller. This tiller has a special 3D design, with enhanced ergonomics. Compared to a conventional tiller, this shape allows the operator to have a good position when pushing the loads with maximum efficiency without fatigue. This thanks to two large grasping side areas specifically designed to have a correct position during operation of the truck.



HYDRAULIC UNIT

Designed with extreme care of details to ensure superior features such as:

- **Monolithic design:** the resistant and reliable one-piece cast iron housing protects all components avoiding any accidental damages. Pump housing is processed with CNC machines to achieve high precision tolerances and high accuracy.
- **Chromed piston rod and oil seal:** in order to avoid rust and prevent oil leakage during the use.
- **Steel tank:** excellent material that has the benefit of being highly resistant, strong and durable.



SAFETY

FRONT AND REAR STABILIZERS:

The control linkage makes possible the entry on the closed side of the pallet by a slight lifting, which facilitates the successive handling phases. Furthermore, greater machine stability is achieved by using load rollers in a more advanced position and providing front stabilizers as standard.

Work is made even more stable and safer with the rear stabilizers, also when the working height exceeds the 400 mm and in the case of heavy objects.

MAXIMUM PRESSURE VALVE:

Safety device that protects the transpallet against overloads.

PROPORTIONAL LOWERING VALVE:

Lowering speed can be proportionally controlled according to the lever position on the tiller. Perfect working tool to carry fragile and delicate loads like crystal, glass and ceramics.



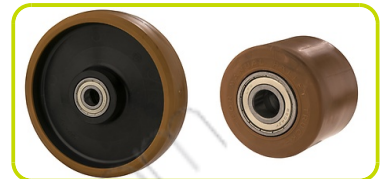
CONFIGURATION

STANDARD:

Nylon polyurethane steering wheels and polyurethane rollers.

Quick lift.

The perfect tool to lift quicker your loads up to 150 kg. The hydraulic pump is specifically engineered to cut by half the job time and increase efficiency.



OPTIONAL:

Rubber steering wheels



Description

1.1 Manufacturer			LIFTER
1.3 Drive			Manual
1.4 Operator type			Pedestrian
1.5 Load capacity	Q	kg	1000
1.6 Load centre distance	c	mm	600
1.8 Load axle to end forks	x	mm	993
1.9 Wheel base	y	mm	1231

Weights

2.1 Service weight (battery included)		kg	104
2.2 Axle load, laden rear		kg	713
2.2 Axle load, laden front		kg	391
2.3 Axle load, unladen front		kg	71
2.3 Axle load, unladen rear		kg	33

Tyres/Chassis

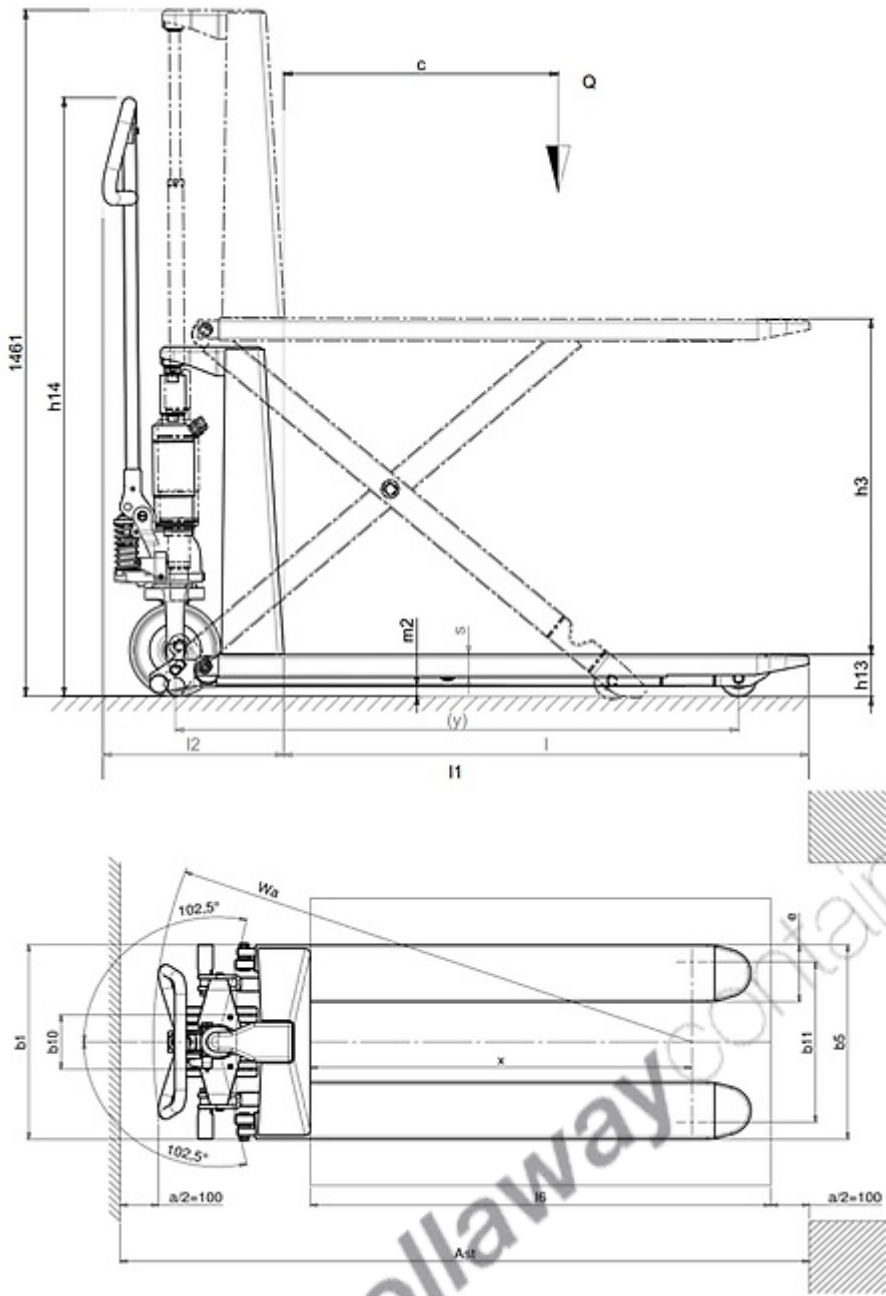
3.1 Tyres: front wheels			POLY.I./ NYLON
3.1 Tyres: rear wheels			POLY.I.
3.2 Tyre size: Steering wheels - Width		mm	45
3.2 Tyre size: Steering wheels - Diameter		mm	200
3.3 Tyre size: Load rollers - Diameter		mm	80
3.3 Tyre size: Load rollers - Width		mm	50
3.5 Tyre size: rear wheels - Q.ty (X=driven)		nr	2
3.6 Tread, front	b10	mm	155
3.7 Tread, rear	b11	mm	447

Dimensions

4.4 Lift height		h3 mm	715
4.9 Height of tiller in drive position max		h14 mm	1285
4.9 Height of tiller in drive position min		h14 mm	735
4.15 Height, lowered		h13 mm	85
4.19 Overall length		l1 mm	1545
4.20 Length to face of forks		l2 mm	395
4.21 Overall width		b1 mm	540
4.22 Fork dimensions - Thickness		s mm	48
4.22 Fork dimensions - Width		e mm	160
4.22 Fork dimensions - Length		l mm	1150
4.25 Distance between fork arms		b5 mm	540
4.32 Ground clearance, centre of wheelbase		m2 mm	21
4.34 Aisle width		Ast mm	2090
4.35 Turning radius		Wa mm	1440

Performance data

5.2 Lifting speed laden		strokes	68
5.2 Lifting speed unladen		strokes	26



The information is aligned with the Data file at the time of download. Printed on 21/02/2022 (ID 15218)

©2022 | PR INDUSTRIAL s.r.l. | All rights reserved | Image shown may not reflect actual package. Specifications subject to change without notice

