

HX10M 1150X540 INOX

STAINLESS STEEL MANUAL SCISSOR LIFT



STAINLESS STEEL

The HX10M stainless steel scissor lift makes possible an easy and light lifting to a height of 800 mm thanks to the reliable manual hydraulic pump keeping the goods at the suitable height to collect/deposit the loads, reducing the operator's effort. Entirely built in stainless steel AISI 304 (including the pump and piston) suitable to work in the aggressive and corrosive environments where the cleaning and the hygiene are the most required values and where there is serious problem of corrosion related to the use of corrosive acids and saline solutions.



HYDRAULIC UNIT

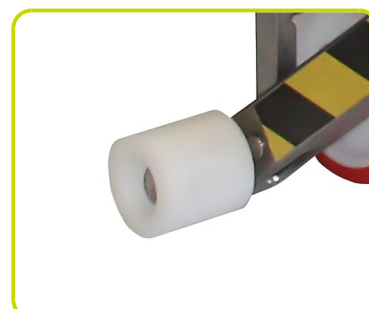
Resistant and reliable one-piece stainless steel pump including:

- LIFTING PISTON: Monopiston type to allow max stability also with heavy loads and granting great reliability
- MAXIMUM PRESSURE VALVE: safety device that ensures the transpallet against overloads. When the pressure inside the hydraulic circuit exceeds the set calibration value according to the maximum nominal flow, the valve automatically locks the forks.



REAR STABILIZERS

The control linkage makes possible the entry on the closed side of the pallet by a slight lifting, which facilitates the successive handling phases. Furthermore, machine stability is achieved by using load rollers in a more advanced position. Work is made stable and safe with the rear stabilizers, also when the working height exceeds the 400 mm and in the case of heavy loads.



EQUIPPED FOR DEMANDING APPLICATIONS

AISI 304 stainless steel electro polished, sealed waterproof bearings, polyamide bushings make HX10M INOX matching the food industry regulations. It is the ideal and clean solution for the handling in the agrifood, chemical and pharmaceutical industries. It is corrosion-proof, maneuverable and ergonomic and it is built to withstand regular high-pressure cleaning and disinfection satisfying the strictest hygienic regulations.



CERTIFICATIONS

The design of HX10 INOX Scissor Lift makes the machine compliant to:
UNI EN 1672-1: 2014 (product for alimentary business – basic concept)
UNI EN 1672-2: 2009 (product for alimentary business – hygienic concept)



OPTIONS

- Stainless steel AISI 316
- Tailor-made chassis to handle special loads
- Custom forks length and width



Description

1.3 Drive			Manual
1.4 Operator type			Pedestrian
1.5 Load capacity	Q	kg	1000
1.6 Load centre distance	c	mm	600
1.8 Load axle to end forks	x	mm	155
1.9 Wheel base	y	mm	1230

Weights

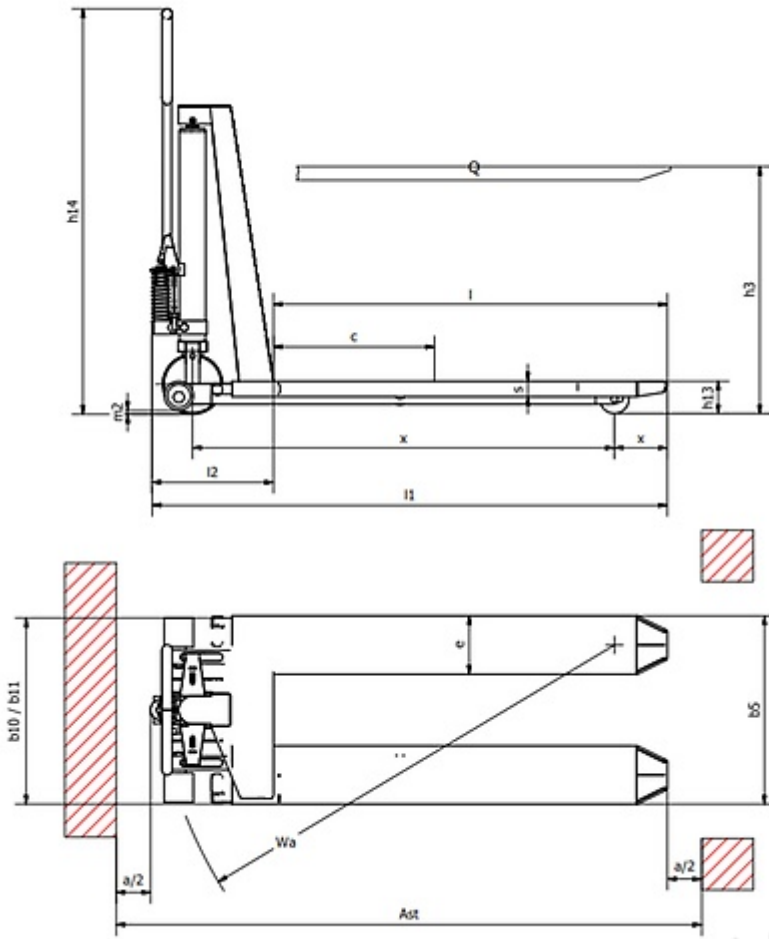
2.1 Service weight		kg	110
2.2 Axle load, laden rear		kg	568
2.2 Axle load, laden front		kg	542
2.3 Axle load, unladen front		kg	42
2.3 Axle load, unladen rear		kg	68

Tyres/Chassis

3.1 Tyres: front wheels			NYLON/POLY
3.1 Tyres: rear wheels			POLY
3.2 Tyre size: Steering wheels - Width		mm	85
3.2 Tyre size: Steering wheels - Diameter		mm	175
3.3 Tyre size: Load rollers - Diameter		mm	82
3.3 Tyre size: Load rollers - Width		mm	90
3.5 Tyre size: rear wheels - Q.ty (X=driven)		nr	2
3.5 Tyre size: front wheels - Q.ty (X=driven)		nr	2
3.6 Tread, front	b10	mm	550
3.7 Tread, rear	b11	mm	550

Dimensions

4.4 Lift height	h3	mm	715
4.9 Height of tiller in drive position min	h14	mm	1190
4.15 Height, lowered	h13	mm	85
4.19 Overall length	l1	mm	1500
4.20 Length to face of forks	l2	mm	355
4.21 Overall width	b1	mm	550
4.22 Fork dimensions - Thickness	s	mm	85
4.22 Fork dimensions - Width	e	mm	170
4.22 Fork dimensions - Length	l	mm	1150
4.25 Distance between fork arms	b5	mm	550
4.32 Ground clearance, centre of wheelbase	m2	mm	15
4.34 Aisle width	Ast	mm	1707
4.35 Turning radius	Wa	mm	1345



rollawaycontainer.com