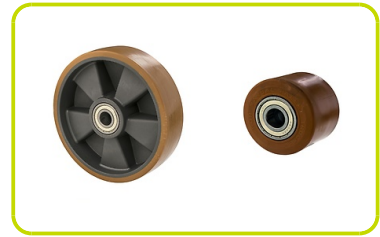


- 'LUF WLRQDOZKVLQSRQWVKDQH
- 3ROMWVKDQQRDGLQWROOHV

7KUDQWMLQBPFRRWKQMVDDQGDUBRQPDUNLQJ



- ,QIBRWIBUROOHV\$GLWLRQDOUROOHVVRIDEOLWDWBEWUDQWVSDQW
 FKSSBZWKORIVODWVUBKQWKLPSDFWRQWKFADLQUROOHVVDQGVMLQD
 ORQWOLIH



- 'HRQRPLKBR XFKBRKXKDVDVSEDO'GMLQZLF
 UDQWMEWVHBRQRPLF&PSDUBWRDRQYBWLRQDOGUDZDUWKLVVKDSBOOR
 WKRSHDWRUWRKYBQRSWLPDOSRVLWLRQKBSYKLVWKRDRDGLQBBVLQHLB
 DQGUBKQRUW7KLVLVWQDNVWRWZODUDDWHDOWLSDUBVVSDDOODQDBW
 KDYBRUUV/SRVWVRIDUPVDQGVZLVVWGMQLQWKRSHDWLRQRWIKWUROOH



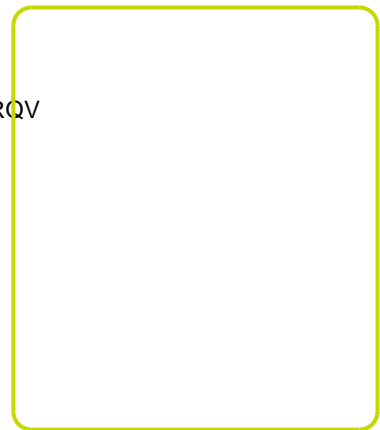
3\$7,1*

OPW/DOSDUWVDIWHDDQDSSURSULDWVVKLQDQGGWBVLQRSHDWLRQDUBDLQWB
 ZWKSROMWBSRZHDWDWPSHDWVRIVRQVADLPUMLVWDQWR
 UDQGDWPRVSKHLEWV



(6 A67\$\$.21

(DVDQGTAFWRLQVWDOOKBRKXFKBRKXBSRQQH WLRQYLDWV
 IOBGBMRLQWVKDWUDQWMSHLRUVWUQWKLQWKFRVWGLILBWDSSOLEWLRQV



OPTIONAL AVAILABLE

- Directional wheels in different materials: rubber, aluminum / polyurethane, nylon
- Quicklift (quick lift). The perfect tool for lifting your loads quickly. Save time and improve efficiency with the specially designed hydraulic pump. Only two strokes to lift loads up to 120 kg or three pumps for loads over 120 kg, compared to 5 strokes required with a non-quicklift pallet truck
- Covered rudder. The plastic coating guarantees operator comfort thanks to a lower heat exchange and helps to reduce vibrations allowing a more comfortable and safe grip
- Manually operated brake. The pallet truck brake acts by means of two drum brakes on the directional wheels which can be in rubber or polyurethane and can be activated using the dedicated lever on the drawbar. It guarantees a stable and movement-free positioning of the pallet truck during parking



COMPLETE RANGE OF VARIATIONS (See dedicated GS EVO product sheets)

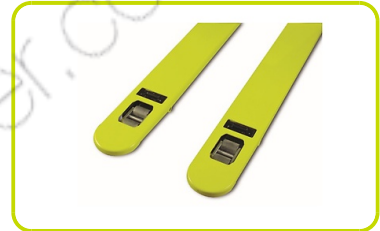
- Capacity 30 quintals. Version with reinforced structure for any fork size



- Silent version certified by Piek. Designed to strongly reduce noise emission even on the worst surfaces, this option is suitable for use in deliveries in residential areas and supermarkets



- Low profile forks. Required where the pallet has limited access due to height. GS EVO can have a low profile with a ground clearance of only 55mm



- INOX / Galvanized version. Ideal tool for handling loads in wet conditions. Suitable for environments where high hygiene standards are applied, such as the chemical, pharmaceutical or food industry



Descrizione

1.1 Costruttore	PR INDUSTRIAL		
1.3 Tipo di Propulsione	Manuale		
1.4 Sistema di guida	Accompagnamento		
1.5 Portata	Q	Kg	2500
1.6 Baricentro	c	mm	675
1.8 Distanza asse ruote di carico da base forca	x	mm	1132
1.9 Passo	y	mm	1392

Pesi

2.1 Massa in servizio	Kg	90
2.2 Carico asse posteriore (pieno carico)	Kg	1711
2.2 Carico asse anteriore (pieno carico)	Kg	879
2.3 Carico asse posteriore (senza carico)	Kg	35
2.3 Carico asse anteriore (senza carico)	Kg	58

Telaio/Ruote

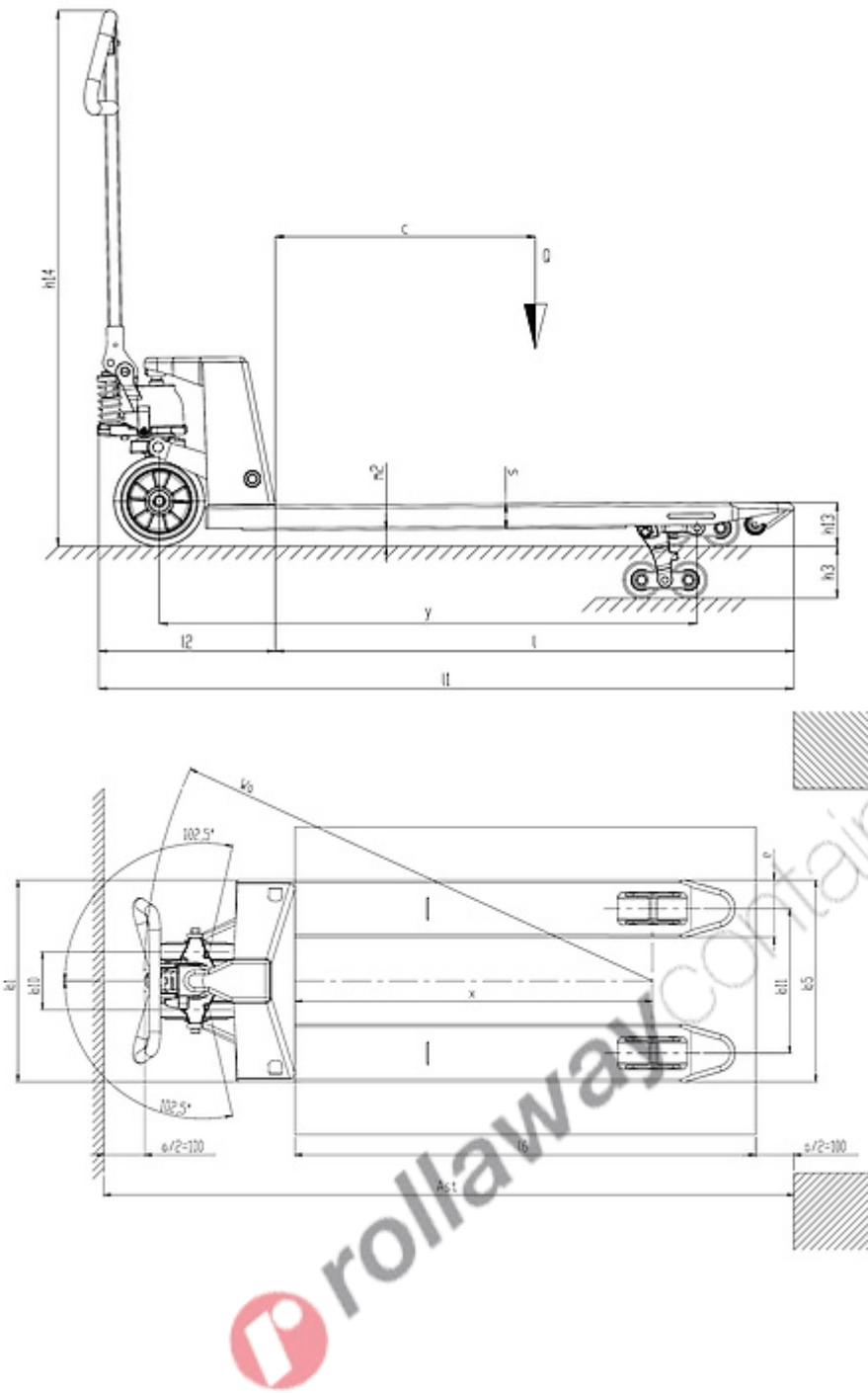
3.1 Gommatura, anteriore	POLY.I./ NYLON		
3.1 Gommatura posteriore	POLY		
3.2 Dimensione ruote anteriori - Diametro	mm	200	
3.2 Dimensione ruote anteriori - Larghezza	mm	45	
3.3 Dimensione ruote posteriori - Diametro	mm	82	
3.3 Dimensione ruote posteriori - Larghezza	mm	60	
3.5 Dimensioni ruote posteriori - Q.tà (x=motrice)	nr	4	
3.5 Dimensioni ruote anteriori - Q.tà (x=motrice)	nr	2	
3.6 Carreggiata anteriore	b10	mm	155
3.7 Carreggiata posteriore	b11	mm	375

Dimensioni

4.4 Altezza di sollevamento	h3	mm	115
4.9 Altezza del timone in posizione di guida max	h14	mm	1185
4.9 Altezza del timone in posizione di guida min	h14	mm	710
4.15 Altezza forche abbassate	h13	mm	85
4.19 Lunghezza totale	l1	mm	1750
4.20 Lunghezza unità motrice	l2	mm	400
4.21 Larghezza totale	b1	mm	525
4.22 Dimensioni forche - Spessore	s	mm	55
4.22 Dimensioni forche - Larghezza	e	mm	150
4.22 Lunghezza forche	l	mm	1350
4.25 Larghezza forche	b5	mm	525
4.32 Luce libera a metà passo	m2	mm	30
4.34 Corridoio di stivaggio per pallet 800x1200 longitudinalmente	Ast	mm	2223
4.35 Raggio di volta	Wa	mm	1567

Prestazioni

5.2 Velocità di sollevamento con carico	pompate	12
5.2 Velocità di sollevamento senza carico	pompate	12
5.3 Velocità di discesa con carico	m/s	0.06



The information is aligned with the Data file at the time of download. Printed on 21/02/2022 (ID 12850)

©2022 | PR INDUSTRIAL s.r.l. | All rights reserved | Image shown may not reflect actual package. Specifications subject to change without notice

