

## GS EVO 25S4 1500X525

Professional hand pallet truck (2.500 kg)



### GS EVO

GS EVO is the best choice for hand pallet trucks, designed for intensive use with maximum ease of use and superior ergonomics. Available in a wide range of configurations, it is the right tool for the customer who is looking for a product tailored to their application or simply a great professional tool.



### HYDRAULIC GROUP

The GS EVO hydraulic unit has been designed with extreme attention to detail to have superior characteristics, such as:

- **MONOLITHIC DESIGN:** the pump body, with integrated oil tank, in resistant and reliable cast iron protects all components avoiding accidental damage. The casting processing is performed by numerically controlled machines to achieve high precision and accuracy tolerances.
- **CHROME PLATED PISTON STEM and OIL SEAL:** for greater corrosion resistance and to prevent oil leaks during use.
- **MAXIMUM PRESSURE VALVE:** safety device that protects the operator and pallet truck from overloads.
- **PROPORTIONAL CONTROL VALVE:** the lowering speed of the forks is proportional to the pressure exerted on the lever by the operator. Perfect work tool for carrying fragile and delicate loads such as crystal, glass and ceramics.



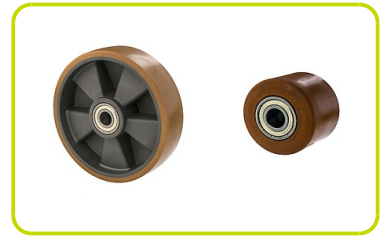
## STANDARD CONFIGURATION

- Directional wheels in polyurethane
- Polyurethane loading rollers

They guarantee silence, smoothness and are non-marking

- Infeed / outfeed rollers. Additional rollers to facilitate entry and exit from the pallet equipped with lower slats, reducing the impact on the main rollers and ensuring a longer life

- 3D ergonomic wheelhouse. The wheelhouse has a special 3D design, which guarantees better ergonomics. Compared to a conventional drawbar, this shape allows the operator to have an optimal position when pushing the load, increasing efficiency and reducing effort. This is thanks to two large lateral grip areas specially angled to have a correct posture of arms and wrists during the operation of the trolley



## PAINTING

All metal parts, after an appropriate washing and degreasing operation, are painted with polyester powder at a temperature of 250 ° to ensure maximum resistance to wear and atmospheric agents.



## EASY INSTALLATION

Easy and quick to install wheelhouse. The wheelhouse / pump connection via two fully welded joints that guarantee superior strength in the most difficult applications.



## OPTIONAL AVAILABLE

- Directional wheels in different materials: rubber, aluminum / polyurethane, nylon



- Quicklift (quick lift). The perfect tool for lifting your loads quickly. Save time and improve efficiency with the specially designed hydraulic pump. Only two strokes to lift loads up to 120 kg or three pumps for loads over 120 kg, compared to 5 strokes required with a non-quicklift pallet truck



- Covered rudder. The plastic coating guarantees operator comfort thanks to a lower heat exchange and helps to reduce vibrations allowing a more comfortable and safe grip



- Manually operated brake. The pallet truck brake acts by means of two drum brakes on the directional wheels which can be in rubber or polyurethane and can be activated using the dedicated lever on the drawbar. It guarantees a stable and movement-free positioning of the pallet truck during parking



**COMPLETE RANGE OF VARIATIONS (See dedicated GS EVO product sheets)**

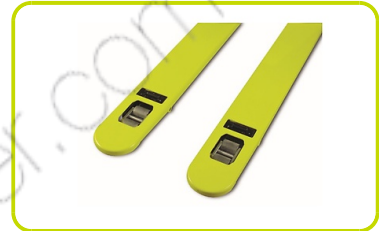
- Capacity 30 quintals. Version with reinforced structure for any fork size



- Silent version certified by Piek. Designed to strongly reduce noise emission even on the worst surfaces, this option is suitable for use in deliveries in residential areas and supermarkets



- Low profile forks. Required where the pallet has limited access due to height. GS EVO can have a low profile with a ground clearance of only 55mm



- INOX / Galvanized version. Ideal tool for handling loads in wet conditions. Suitable for environments where high hygiene standards are applied, such as the chemical, pharmaceutical or food industry



## Descrizione

1.1 Costruttore		PR INDUSTRIAL
1.3 Tipo di Propulsione		Manuale
1.4 Sistema di guida		Accompagnamento
1.5 Portata	Q Kg	2500
1.6 Baricentro	c mm	750
1.8 Distanza asse ruote di carico da base forca	x mm	1282
1.9 Passo	y mm	1542

## Pesi

2.1 Massa in servizio	Kg	113
2.2 Carico asse posteriore (pieno carico)	Kg	1685
2.2 Carico asse anteriore (pieno carico)	Kg	928
2.3 Carico asse posteriore (senza carico)	Kg	48
2.3 Carico asse anteriore (senza carico)	Kg	65

## Telaio/Ruote

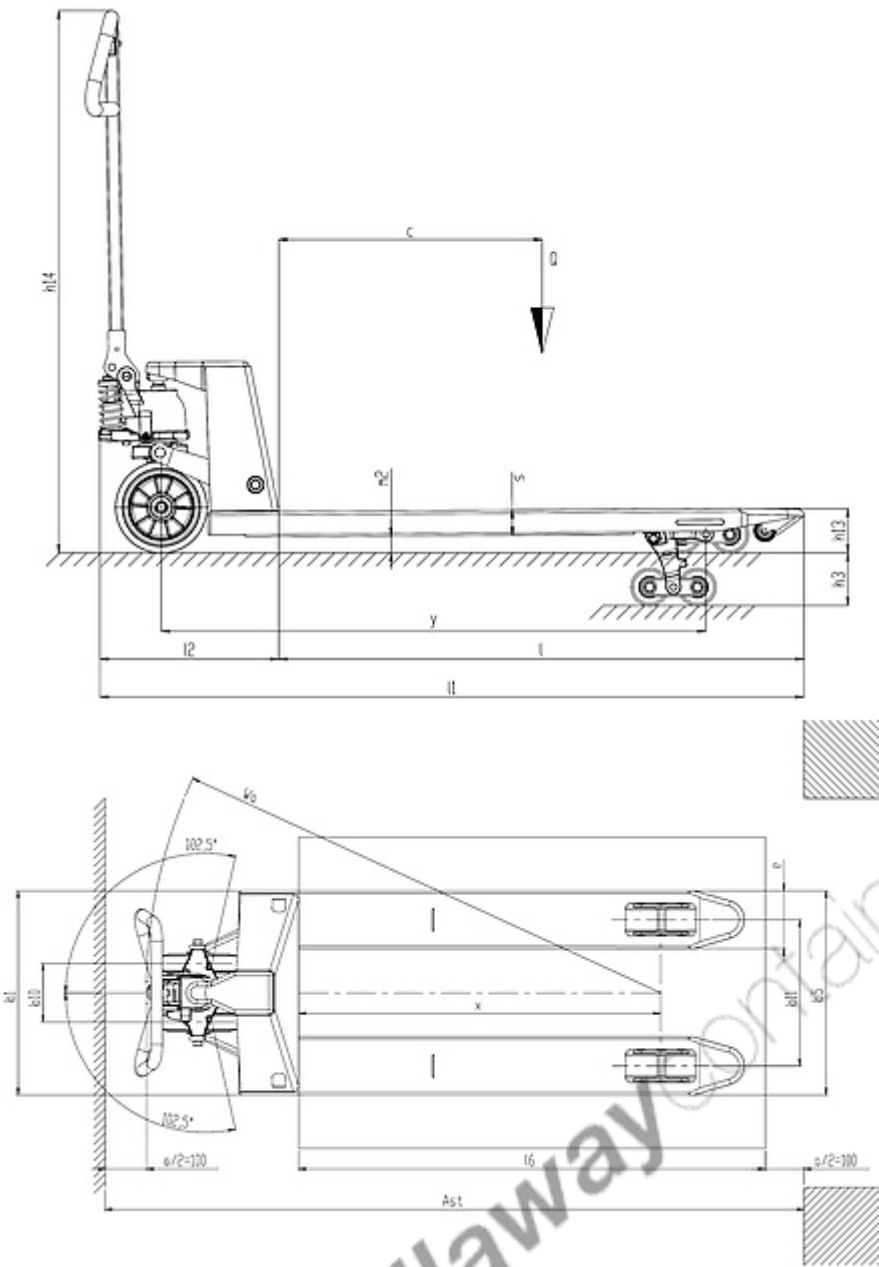
3.1 Gommatura, anteriore		POLY.I./ NYLON
3.1 Gommatura posteriore		POLY
3.2 Dimensione ruote anteriori - Diametro	mm	200
3.2 Dimensione ruote anteriori - Larghezza	mm	45
3.3 Dimensione ruote posteriori - Diametro	mm	82
3.3 Dimensione ruote posteriori - Larghezza	mm	60
3.5 Dimensioni ruote posteriori - Q.tà (x=motrice)	nr	4
3.5 Dimensioni ruote anteriori - Q.tà (x=motrice)	nr	2
3.6 Carreggiata anteriore	b10 mm	155
3.7 Carreggiata posteriore	b11 mm	375

## Dimensioni

4.4 Altezza di sollevamento	h3 mm	115
4.9 Altezza del timone in posizione di guida max	h14 mm	1185
4.9 Altezza del timone in posizione di guida min	h14 mm	710
4.15 Altezza forche abbassate	h13 mm	85
4.19 Lunghezza totale	l1 mm	1900
4.20 Lunghezza unità motrice	l2 mm	400
4.21 Larghezza totale	b1 mm	525
4.22 Dimensioni forche - Spessore	s mm	55
4.22 Dimensioni forche - Larghezza	e mm	150
4.22 Lunghezza forche	l mm	1500
4.25 Larghezza forche	b5 mm	525
4.32 Luce libera a metà passo	m2 mm	30
4.34 Corridoio di stivaggio per pallet 800x1200 longitudinalmente	Ast mm	2373
4.35 Raggio di volta	Wa mm	1717

## Prestazioni

5.2 Velocità di sollevamento con carico	pompate	12
5.2 Velocità di sollevamento senza carico	pompate	12
5.3 Velocità di discesa con carico	m/s	0.06



The information is aligned with the Data file at the time of download. Printed on 21/02/2022 (ID 12851)

©2022 | PR INDUSTRIAL s.r.l. | All rights reserved | Image shown may not reflect actual package. Specifications subject to change without notice

