

## CX12 S2 1150X520 GEL

SMALL SIZE, GREAT MANOEUVRABILITY



### CX12

The CX12 electric pallet truck is suitable for carrying loads on smooth or paved surfaces. Its small size and turning radius make it the ideal tool to work with in confined spaces, such as lorries or narrow aisles.

### GEL

This version is equipped with GEL batteries allowing a high number of charging cycle, a tiller made with metal tube and ergonomic controls.

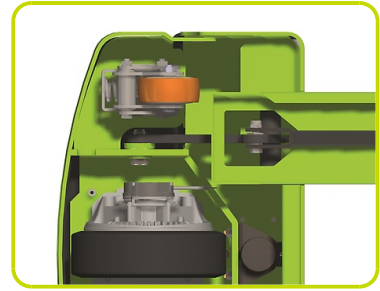
### MANOEUVRABILITY

Thanks to the width B1, equal to the fork gauge, and the L2 measure of 360 mm, the CX12 electronic pallet truck is the ideal tool for handling pallets on lorries, in supermarket corridors and in any application where space is limited. In its category, this machine is therefore the best configuration in terms of frame width, weight and turning radius, guaranteeing great maneuverability and compactness.



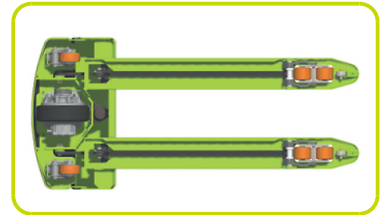
## TRACTION & SAFETY

Traction is granted by the biggest heavy-duty stabilizer wheels (100x40 mm) in the category, with heavy duty spring. All linkage connections done through bushings that increase stability and durability.



## RELIABILITY

- Robust frame (metal motor wheel protection 6 mm thick) designed to guarantee maximum durability and resistance to torsion and heavy loads.
- Battery discharge indicator to allow easy management.
- Easy access to electrical components for maintenance.



## TILLER AND CONTROLS

- Ergonomic tiller
- Luminous indicator for battery state control.
- Butterfly valves for traction control.
- Safety pushbutton with warning buzzer.
- "Tortoise" pushbutton for slow motion, which allows for the carrying out of operations with the tiller in vertical position.



## ROLLERS

Standard configuration provided with single polyurethane rollers. Available tandem rollers as optional.



## Description

1.1 Manufacturer			LIFTER
Lift			ELECTRIC
1.3 Drive			ELECTRIC
1.4 Operator type			Pedestrian
1.5 Load capacity	Q	kg	1200
1.6 Load centre distance	c	mm	600
1.8 Load axle to end forks	x	mm	886
1.9 Wheel base	y	mm	1119

## Weights

2.1 Service weight (battery included)		kg	165
2.2 Axle load, laden rear		kg	924
2.2 Axle load, laden front		kg	441
2.3 Axle load, unladen front		kg	134
2.3 Axle load, unladen rear		kg	31

## Tyres/Chassis

3.1 Tyres: front wheels			RUBBER
3.1 Tyres: stabilizers wheels - front			POLY.I.
3.1 Tyres: rear wheels			NYLON
3.2 Tyre size: Steering wheels - Width		mm	50
3.2 Tyre size: Steering wheels - Diameter		mm	186
3.3 Tyre size: Load rollers - Diameter		mm	82
3.3 Tyre size: Load rollers - Width		mm	82
3.4 Tyre size: stabilizers wheels front - Diameter		mm	75
3.4 Tyre size: stabilizers wheels front - Width		mm	32
3.5 Tyre size: rear wheels - Q.ty (X=driven)		nr	2
3.5 Tyre size: front wheels - Q.ty (X=driven)		nr	1x
3.6 Tread, front	b10	mm	369
3.7 Tread, rear	b11	mm	371

## Dimensions

4.4 Lift height		h3 mm	115
4.9 Height of tiller in drive position max		h14 mm	1345
4.9 Height of tiller in drive position min		h14 mm	885
4.15 Height, lowered		h13 mm	85
4.19 Overall length		l1 mm	1510
4.20 Length to face of forks		l2 mm	360
4.21 Overall width		b1 mm	520
4.22 Fork dimensions - Thickness		s mm	55
4.22 Fork dimensions - Width		e mm	150
4.22 Fork dimensions - Length		l mm	1150
4.25 Distance between fork arms		b5 mm	520
4.32 Ground clearance, centre of wheelbase		m2 mm	30
4.34 Aisle width		Ast mm	1782
4.35 Turning radius		Wa mm	1268

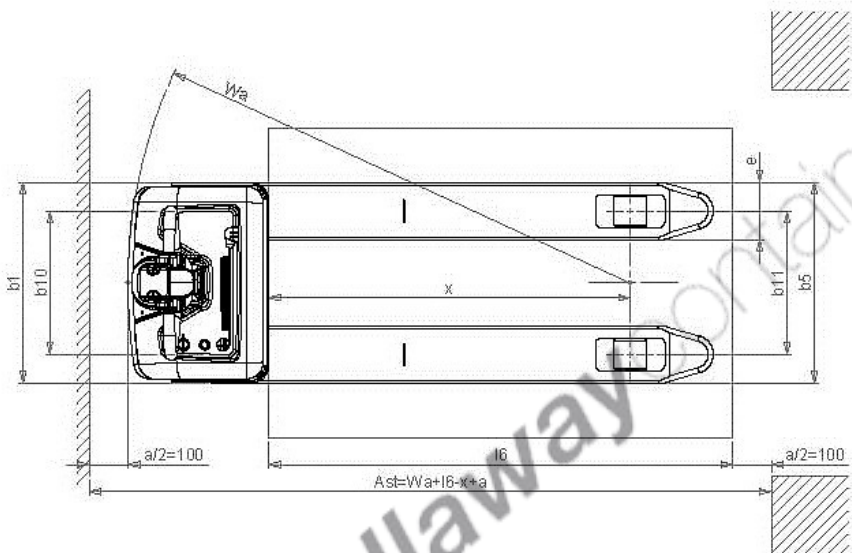
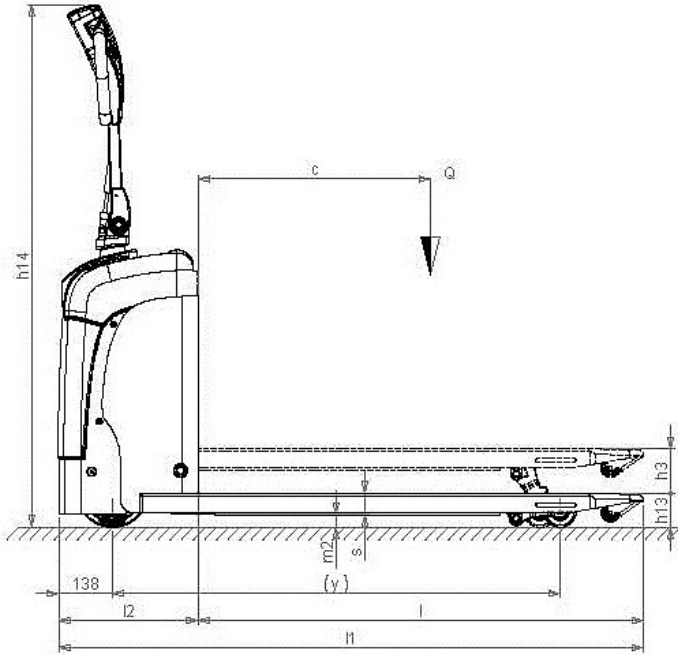
**Performance data**

5.1 Travel speed laden	Km/h	4.3
5.1 Travel speed unladen	Km/h	4.8
5.2 Lifting speed laden	m/s	0.03
5.2 Lifting speed unladen	m/s	0.04
5.3 Lowering speed laden	m/s	0.05
5.3 Lowering speed unladen	m/s	0.02
5.8 Max gradeability laden	%	10
5.8 Max gradeability unladen	%	25
5.10 Service brake		Electric

**Electric motors**

6.1 Drive motor power	kW	0.35
6.2 Lift motor power	kW	0.4
Battery Type	Type	GEL
6.4 Battery voltage	V	24
6.4 Battery capacity, Min	Ah	40
6.4 Battery capacity, Max	Ah	40
6.5 Battery weight, Min	kg	25
6.5 Battery weight, Max	kg	40
6.6 Energy consumption according to VDI cycle	kWh/h	0.28
8.4 Sound level at driver's ear	dB(A)	67

\*Integrated battery and battery charger



The information is aligned with the Data file at the time of download. Printed on 21/02/2022 (ID 454)

©2022 | PR INDUSTRIAL s.r.l. | All rights reserved | Image shown may not reflect actual package. Specifications subject to change without notice

